

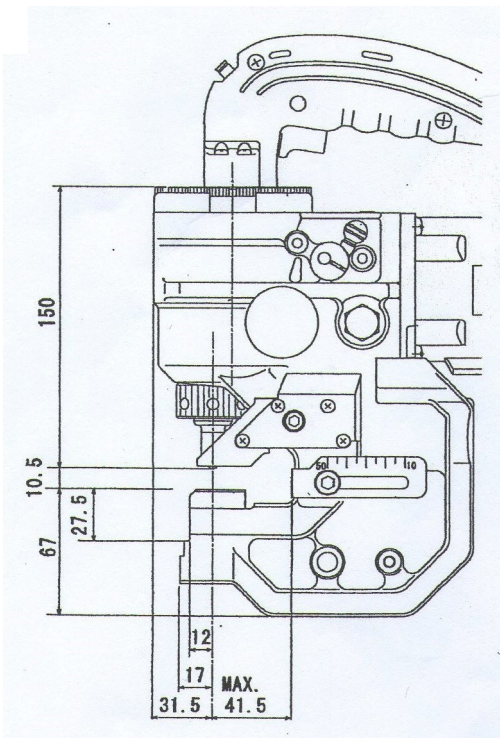


RW-M2 Electric Hydraulic Hole Puncher

The RW-M2 is manufactured in Japan by Kamekura Seiki Co. Ltd who are the manufacturers of precision hydraulic hole punching equipment. Our popular model RW-M2 is a precision manufactured tool to give a life time of reliable service to any tradesman requiring to penetrate holes in sheet metal, stainless steel, copper, brass and aluminium.

The RW-M2 boasts the following features:

- Portable and powerful, easy to operate with little effort.
- Professional finish on job with no damage to finished painted products.
- Sizes range from 4 to 20mm round diameter punch and dies.
- Can be fixed to bench top or work station for factory applications.
- Accurate positioning within 0.1mm when using the inching switch.
- Positioned LED lighting to the punch area.



Model	RW-M2
Input Voltage	AC 230Volt 50 Hz
Consumption Power	580W
Motor	Double Insulated
Punching Force	196kN (20Ton) Max Dia. 20mm / Thickness 9mm (Mild Steel) Max Dia. 20mm / Thickness 6mm (Stainless Steel) Max Dia. 20mm / Thickness 10mm (Copper Bar)
Punching Time	3-4 Secs
Dimensions	308 x 100 x 280mm
Weight	12Kgs
Operating Method	Double Acting Hydraulic Auto Return



Stainelec
www.stainelec.com.au

5/9A Lyell Street
Mittagong NSW 2575
Australia

T: +61 2 4871 2121
F: +61 2 4871 2020
E: info@stainelec.com.au

RW-M2 Punching Capacity

Type	Parts No.	Size (Dia. mm)	Punching Capacity (Thickness. mm)											
			Mild Steel					Stainless Steel			Angle Iron			
			4mm	5mm	6mm	7.5mm	9mm	4mm	5mm	6mm	75 x 40	100 x 50	150 x 75 (10mm)	
Standard	Round	R8	∅8	✓	✓	✓				✓				
		R10	∅10	✓	✓	✓	✓			✓	✓			
		R11	∅11	✓	✓	✓	✓	✓	✓	✓	✓	✓	✓	✓
		R12	∅12	✓	✓	✓	✓	✓	✓	✓	✓	✓	✓	✓
		R14	∅14	✓	✓	✓	✓	✓	✓	✓	✓	✓	✓	✓
		R15	∅15	✓	✓	✓	✓	✓	✓	✓	✓	✓	✓	✓
		R16	∅16	✓	✓	✓	✓	✓	✓	✓	✓	✓	✓	✓
		R18	∅18	✓	✓	✓	✓	✓	✓	✓	✓	✓	✓	✓
		R20	∅20	✓	✓	✓	✓	✓	✓	✓	✓	✓	✓	✓
	Oblong	R11 - 18	∅11 x 18	✓	✓	✓	✓	✓	✓	✓	✓	✓	✓	✓
		R12 - 18	∅12 x 18	✓	✓	✓	✓	✓	✓	✓	✓	✓	✓	✓
		R14 - 18	∅14 x 18	✓	✓	✓	✓	✓	✓	✓	✓	✓	✓	✓

